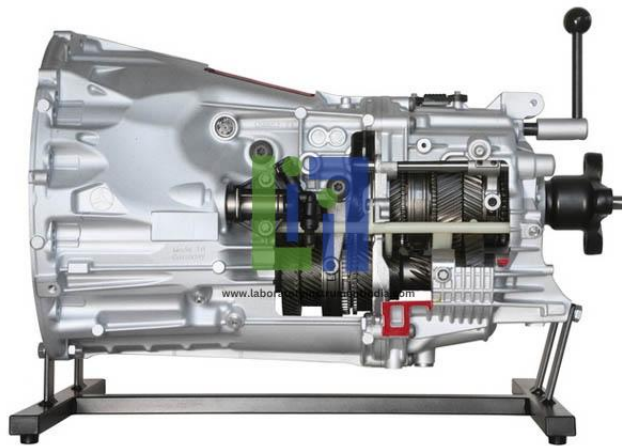




Email : sales@laboratoryinstrumentindia.com

Product Name :
Six Speed Manual Transmission

Product Code :
LBNY-0005-1200024



Description :

The gear wheels and the synchronisations are easy to recognise
A six-speed manual transmission of the latest generation.
The shafts can be rotated and the box can be shifted into all gears
The transmission is installed in the new Mercedes-Benz C-Class

Technical Specification :

Six Speed Manual Transmission



Laboratory Instrument India