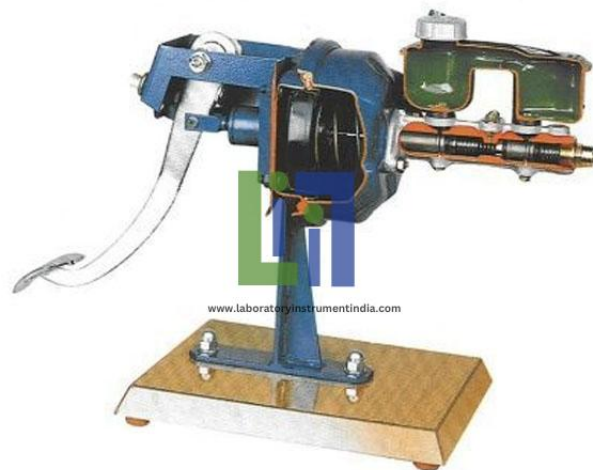




Email : [sales@laboratoryinstrumentindia.com](mailto:sales@laboratoryinstrumentindia.com)

**Product Name :**  
Vacuum Servo Brake Cutaway

**Product Code :**  
LBNY-0005-121000317



**Description :**

Section of a diaphragm Servo Brake used for light vehicles, complete with double circuit brake pump.

**Technical Specification :**

Equipment Layout: On Base  
Operated: Manually (Through a Pedal)  
Dimensions: 50 x 30 x 40(h) cm  
Net Weight: 6 kg  
Gross Weight: 10 kg.



**Laboratory Instrument India**