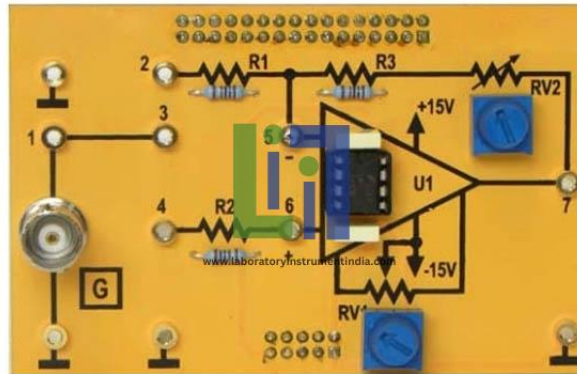




Email : sales@laboratoryinstrumentindia.com

Product Name :
Kit For The Study Of Analogue Electronics

Product Code :
LBNY-0005-12400031



Description :

- Composed of Kit For The Study Of Analogue Electronics
- Sub module with power operational amplifier
- Sub module with Schmitt trigger
- Sub module with square triangular wave forms generator
- Sub module with class A and class AB push pull circuits
- Sub module with operational amplifier
- Sub module with 1st order high pass low pass active filters
- Sub module with 1st order high pass low pass passive filters
- Sub module with 2nd order high pass low pass active filters.

Technical Specification :

Kit For The Study Of Analogue Electronics



Laboratory Instrument India