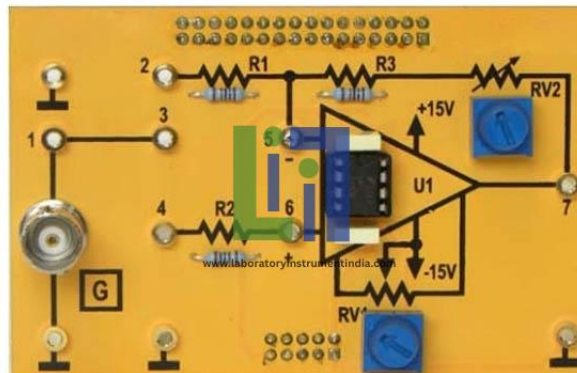




Email : sales@laboratoryinstrumentindia.com

**Product Name :**  
Kit For The Study Of Analogue Electronics

**Product Code :**  
LBNY-0005-12400033



**Description :**

Composed of Kit For The Study Of Analogue Electronics  
Sub module with power operational amplifier  
Sub module with Schmitt trigger  
Sub module with square triangular wave forms generator  
Sub module with 1st order high pass low pass active filters  
Sub module with 1st order high pass low pass passive filters  
Sub module with 2nd order high pass low pass active filters  
Sub module with class A and class AB push pull circuits  
Sub module with operational amplifier.

**Technical Specification :**

Kit For The Study Of Analogue Electronics



**Laboratory Instrument India**