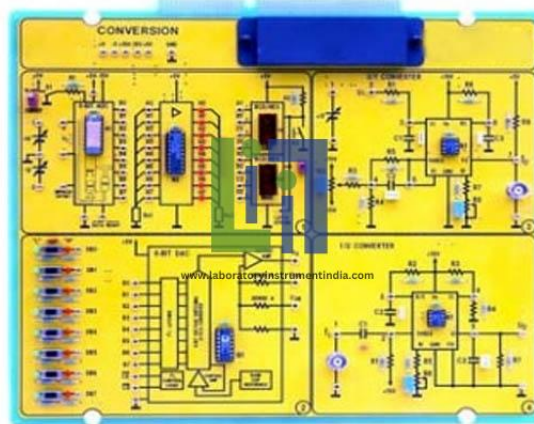




Email : sales@laboratoryinstrumentindia.com

Product Name :
Conversion

Product Code :
LBNY-0005-12400058



Description :

Theoretical topics:

Simple slope A/D Conversion
Double slope A/D Conversion
Analogue and digital signals
The D/A Conversion
The A/D Conversion
Step A/D Conversion
A/D Conversion of parallel or flash type
Unipolar codes
Voltage/frequency Conversion
Voltage/frequency Conversion with charge balance method
Fault simulation
Voltage/frequency Conversion with slope method
Bipolar codes
Weighed resistance D/A converter
D/A converter with $R \cdot 2$ network

Circuit blocks:

Voltage to frequency converter
Frequency to voltage converter
Analogue to digital converter
Digital to analogue converter.

Technical Specification :

Conversion



Laboratory Instrument India