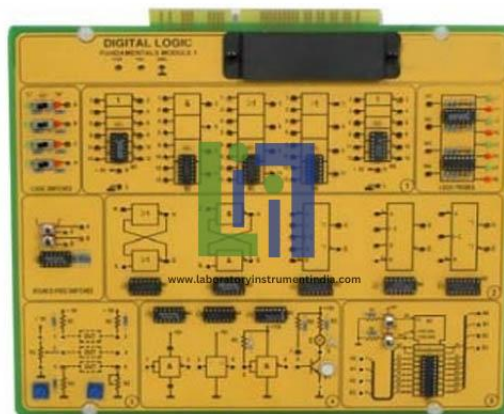




Email : sales@laboratoryinstrumentindia.com

**Product Name :**  
Digital Logic Fundamentals 1

**Product Code :**  
LBNY-0005-12400063



### Description :

#### Theoretical topics:

Ideas of logic: logic connectives and fundamental theorems of the Boolean algebra  
Minimization techniques of logic functions through theorem applications and Karnaugh maps  
Logic gates and truth tables  
Fundamental logic operators  
Binary system  
Logic functions  
Algebraic description of the logic networks and the truth tables  
Theorems of the Boolean algebra  
NOT, AND, OR logic operators  
Operation of the AND and OR operators as control devices in the transfer of logic signals  
Operation of the NAND and NOR operators as control devices in the transfer of logic signals and carrying out of logic functions  
Canonical forms of a function  
Graphic representation of functions  
AND OR NOT function  
NAND and NOR logic operators  
Generalities and definition of flip flop  
JK flip flop  
T and D flip flops  
SR flip flop, with NOR and NAND operators  
Interfacing with the bus  
Fault simulation

---

Fundamental logic families  
Interfacing of the logic families, outputs and types of TTL circuits  
The open collector gates  
Characteristic parameters of the logic gates

**Circuit blocks:**

Open Collector  
SET RESET Flip Flop  
JK Flip Flop  
AND NAND  
OR NOR  
Built in clock circuit  
Manual input signal control  
XOR XNOR  
Data Bus Control In addition, the Circuit Board contains:  
+5 V regulated supply.

**Technical Specification :**

Digital Logic Fundamentals 1



**Laboratory Instrument India**