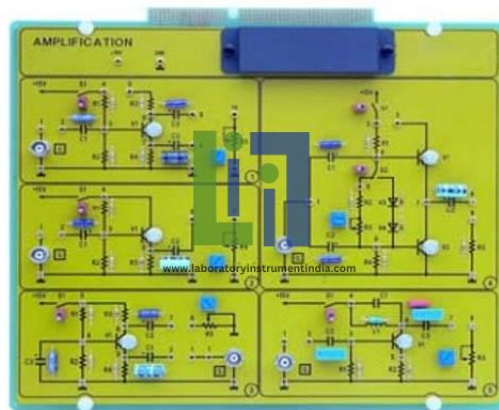




Email : sales@laboratoryinstrumentindia.com

Product Name :
Amplification

Product Code :
LBNY-0005-12400072



Description :

Theoretical topics:

Linear amplification of current, voltage and power
Static and dynamic load line
Fault simulation
Intermediate stage final stage pre amplifiers
Amplifiers: EC, CC and BC configurations
Thermal stability of a linear amplifier
Power amplifiers in class A
Power amplifiers in class B
Power amplifiers in class C

Technical Specification :

Circuit blocks:

The common emitter amplifier
The push pull power amplifier in class B
The common collector amplifier
The power amplifier tuned in class C
The common base amplifier.

Laboratory Instrument India

