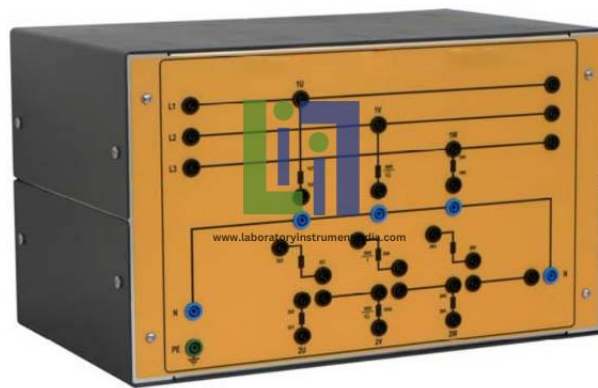




Email : sales@laboratoryinstrumentindia.com

Product Name :
Three Phase Voltage Transformer

Product Code :
LBNY-0005-15900015



Description :

Three Phase Voltage Transformer for measuring and protection.

Accuracy class: 1

Frequency: 50 60 Hz

Rated primary voltage: 380 V/3 (220 V)

Rated secondary voltages: 100 V/3, Performance 15 VA 100 V/3, Performance 5 VA

Technical Specification :

Three Phase Voltage Transformer



Laboratory Instrument India