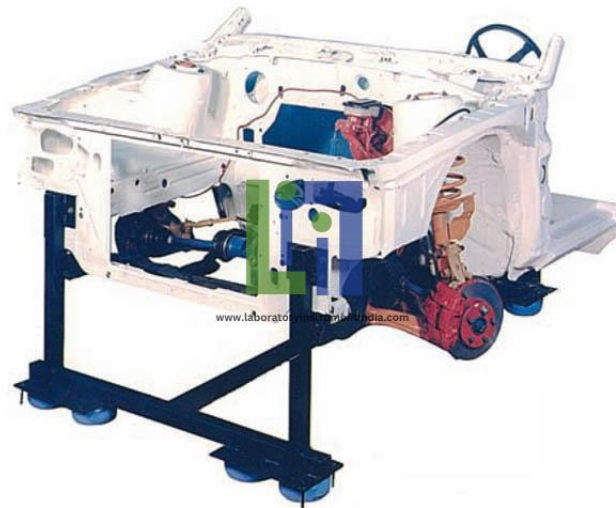




Email : sales@laboratoryinstrumentindia.com

Product Name :
Suspension Steering And Brake Trainer

Product Code :
LBNY-0005-18600035



Description :

Suspension Steering And Brake Trainer is constructed from a front wheel drive car with a out the engine and with manual or automatic transmission. Suspension Steering And Brake Trainer is a front section assembly of a car, complete with transaxle, front suspension. front brakes and steering is systems. The pans are individually colored to make them easily identifiable. It is cut at the lower terminus of the windshield pillars. and through the rocker channels, floor panels, and central channel of the underbody aft of the gearshift console, and steering mechanism are to be intact.

Technical Specification :

Suspension Steering And Brake Trainer



Laboratory Instrument India