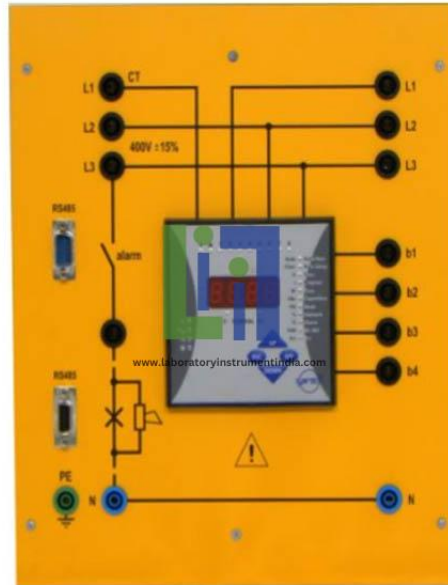




Email : sales@laboratoryinstrumentindia.com

Product Name :
Reactive Power Controller

Product Code :
LBNY-0005-1840007



Description :

Relay for automatic adjustment of the power factor in systems with inductive load.
Power factor adjustment range: 0.9 ... 0.98 ind
2 decimal digit display
Output relay for batteries connection: 4 NO contacts with LED indication
Output relay contact: 400 Vac, 5 A
Sensitivity: 0.2 ... 1.2 K
Supply voltage: three-phase from mains
Automatic detection of the frequency.
Ammetric input circuit: 5 A (250 mA min.).

Technical Specification :

Reactive Power Controller



Laboratory Instrument India