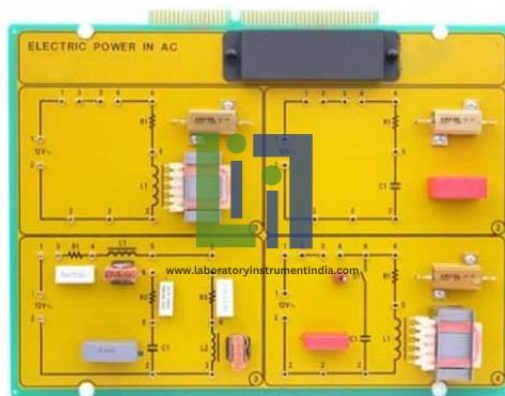




Email : sales@laboratoryinstrumentindia.com

Product Name :
Electric Power In Alternating Current

Product Code :
LBNY-0005-1240001



Description :

Theoretical topics:

Power and energy measurements
Phasing of a single phase system
Calculation of the phasing capacity
Reactive power
Apparent power
Active power
Boucherot's theorem
Fault simulation.

Circuit blocks:

Active, reactive and apparent power
Phasing of an ohmic inductive load
Boucherot's theorem.

Technical Specification :

Electric Power In Alternating Current

Laboratory Instrument India

